

PRODUCT INFORMATION PACKET



Model No: 5KH32DN5587X
Catalog No: 5KH32DN5587X
Carbonator Pump Motor, 0.25 HP, 1 Ph, 60 Hz, 115 V, 1800 RPM, 48Y Frame, DP



Regal and Leeson are trademarks of Regal Rexnord Corporation or one of its affiliated companies.
©2024 Regal Rexnord Corporation, All Rights Reserved. MC017097E





Nameplate Specifications

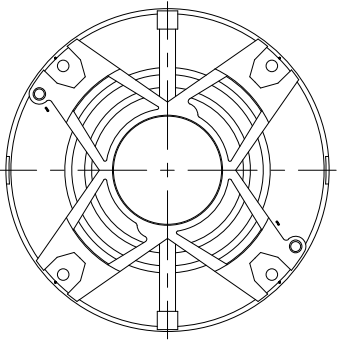
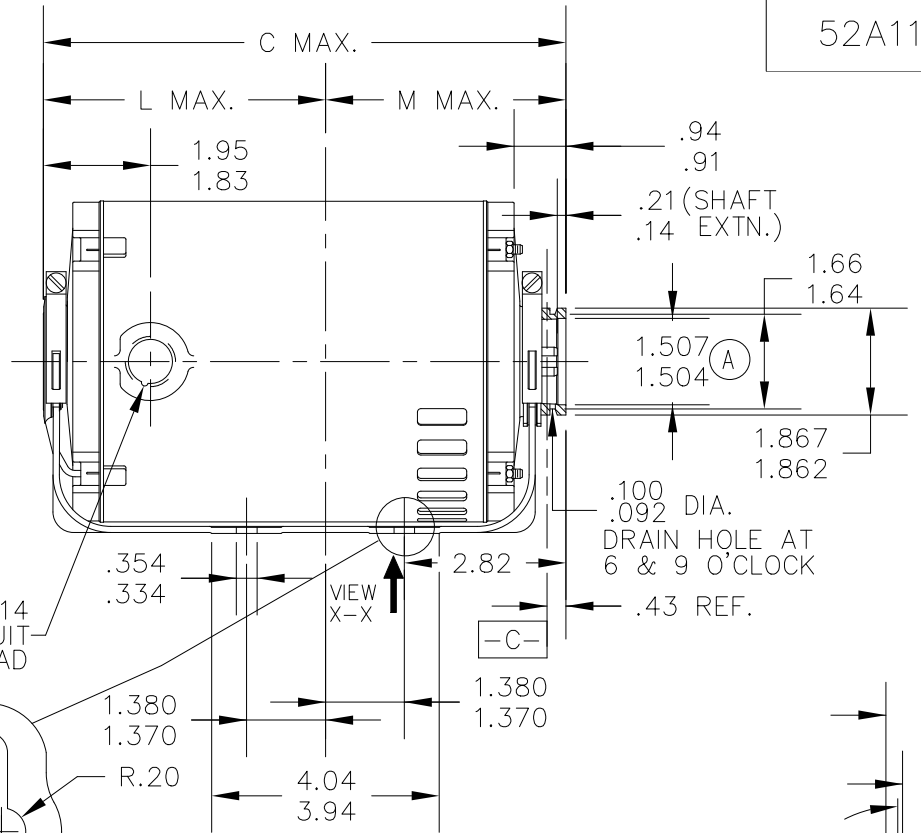
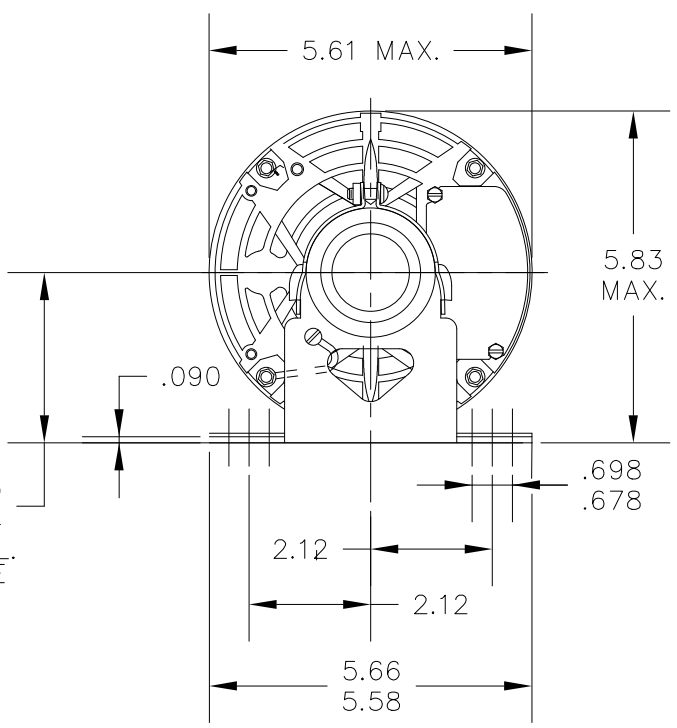
| | | | |
|----------------------------|------------|------------------------|------------|
| Phase | 1 | Output HP | 0.25 Hp |
| Output KW | 0.19 kW | Voltage | 115 V |
| Speed | 1725 rpm | Service Factor | 1 |
| Frame | 48Y | Enclosure | Drip Proof |
| Thermal Protection | Automatic | Efficiency | 52.5 % |
| Ambient Temperature | 40 °C | Frequency | 60 Hz |
| Current | 5 A | Power Factor | 0 |
| Duty | Continuous | Insulation Class | B |
| KVA Code | S | Drive End Bearing Size | 6203 |
| Opp Drive End Bearing Size | 6203 | UL | Recognized |
| CSA | Yes | CE | N |
| Number of Speeds | 1 | | |

Technical Specifications

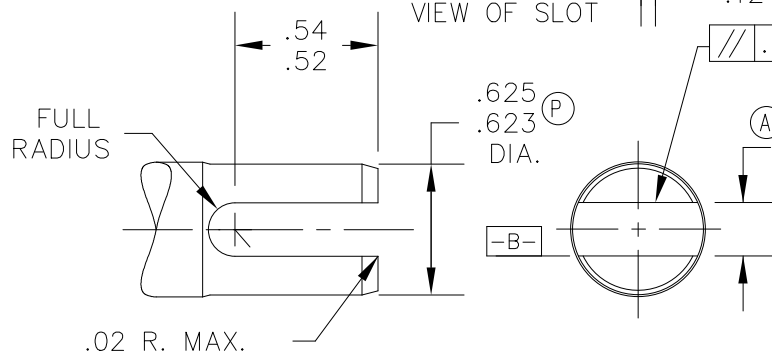
| | | | |
|-------------------|----------------|-----------------------|----------------------------|
| Electrical Type | Split Phase | Starting Method | SM |
| Poles | 4 | Rotation | Counterclockwise/Clockwise |
| Mounting | Resilient Base | Motor Orientation | ANY |
| Drive End Bearing | BALL | Opp Drive End Bearing | Ball |
| Frame Material | Rolled Steel | Overall Length | 7.79 in |
| Frame Length | 5.16 in | Shaft Diameter | 0.625 in |
| Shaft Extension | 0.17 in | | |
| Outline Drawing | 52A113052P1 | Connection Drawing | 52A105379AA |

This is an uncontrolled document once printed or downloaded and is subject to change without notice. Date Created:09/18/2024

- SURFACES & DIMENSIONS
- (P) PROC.
 - (E) ENG.
 - (A) APPL.
 - (R) REG.



VIEW SHOWING P.E. VENTILATION OPENINGS



VIEW X-X ENLARGED VIEW OF SLOT

| | | | | | | |
|---|------|----------|---------|------|------|------|
| 1 | KH | 32 | 48Y | 7.79 | 3.55 | 4.28 |
| P | TYPE | RBC SIZE | NEMA FR | C | L | M |

| NO. | REVISION | BY & DATE | CHK | TOLERANCES UNLESS SPECIFIED | |
|-----|--|---------------|-----|-----------------------------|---------|
| | | | | DEC. | INCHES |
| 4 | CHGD SHAFT DIA EXT WAS .490/.488 PER ECR-0222871 | SN 12/20/2022 | SN | .X | ±0.1 |
| 3 | PART # 2 DELETED AS PER IS12-4648 | UD 9/26/12 | KK | .XX | ±0.02 |
| 2 | CHG GD LD FROM 4:30 TO 7:30 PER IS11-0510. | UD 9/24/12 | PKG | .XXX | ±0.005 |
| 1 | ADDED CORE SET TO PART #2. | KK 13/03/12 | | .XXXX | ±0.0005 |
| | | | | ANG | ±1.0 |



| | |
|----------|--------------------------------------|
| TITLE | OUTLINE |
| | CARBONATOR PUMP - OPEN - RESIL. BASE |
| MAT'L. | |
| FINISH | |
| CAD FILE | 52A113052 |

| | |
|-------|-------------|
| DRAWN | GD 10/25/05 |
| CHK | |
| APPD | GD 10/25/05 |
| SCALE | 1=1 |
| REF | |
| FMF | |
| PREV | |

THIS DRAWING IN DESIGN AND DETAIL IS OUR PROPERTY AND MUST NOT BE USED EXCEPT IN CONNECTION WITH OUR WORK ALL RIGHTS OF DESIGN AND INVENTION ARE RESERVED THIS IS AN ELECTRONICALLY GENERATED DOCUMENT - DO NOT SCALE THIS PRINT

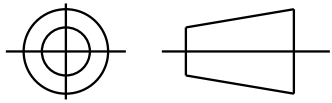
RFP
DIST

CAD FILE 52A113052
3 of 4

SIZE A
DRAWING NO. 52A113052
REV. 4

SHEET 6
REV 6
52A105379AA
SIZE DRAWING NO. A

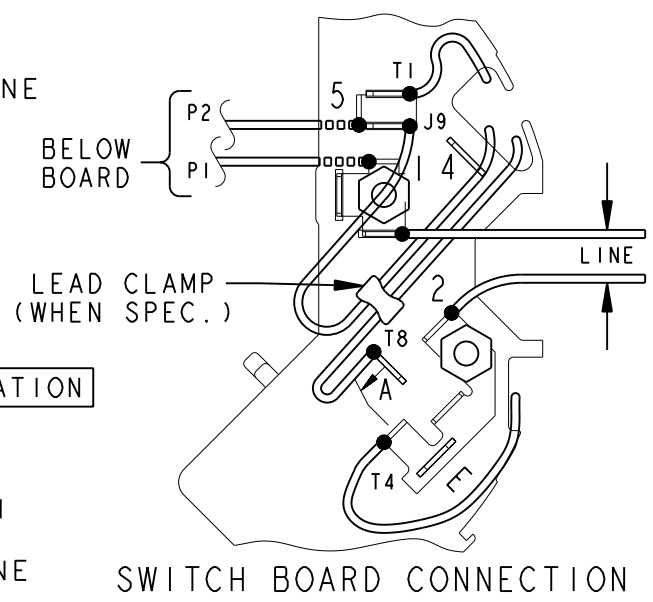
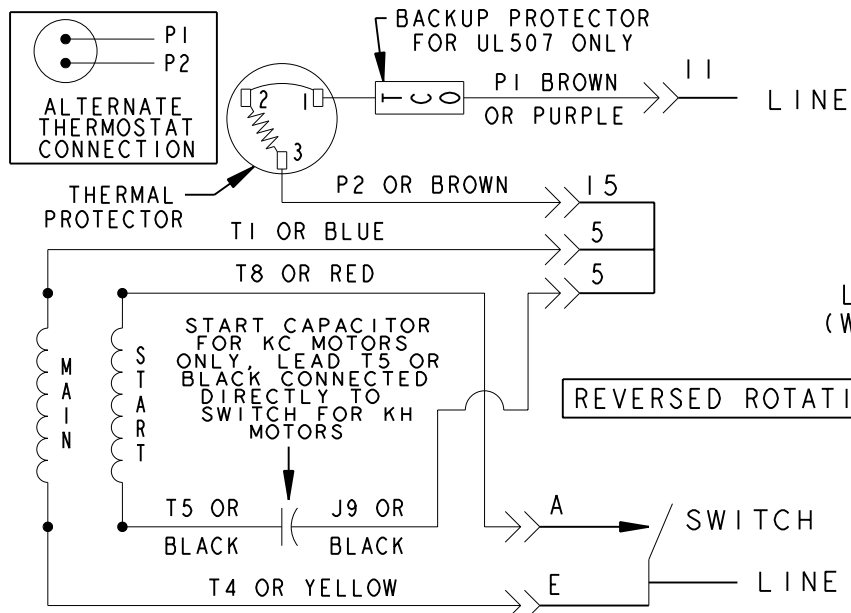
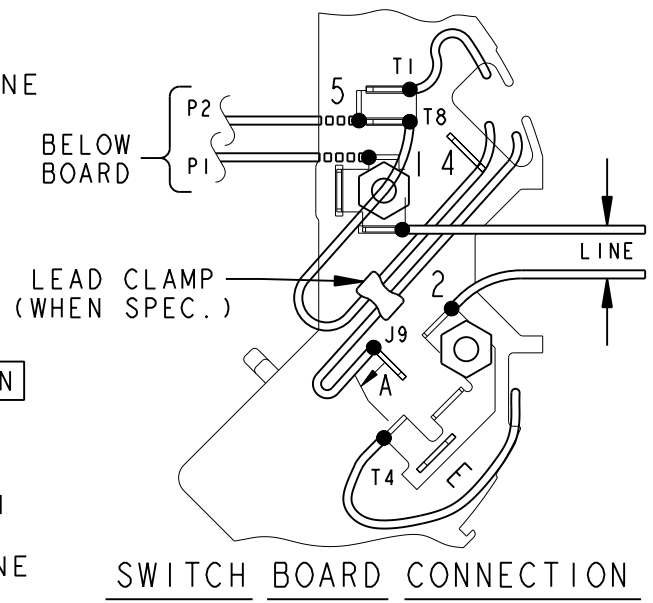
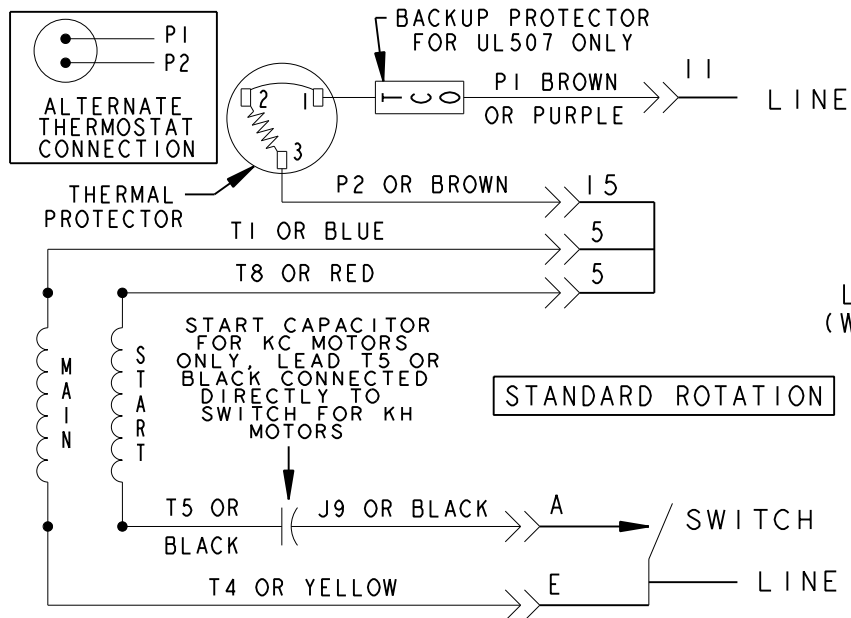
THIRD ANGLE PROJECTION



REVISIONS

| REV. | DESCRIPTION | DATE | APPROVED |
|------|----------------|----------|----------|
| 6 | UPDATED FORMAT | 12/01/05 | MAM |

EITHER ROTATION-SINGLE VOLTAGE-TYPE KC OR KH-WITH THERMAL PROTECTOR



NOTE #1 - TO REVERSE ROTATION INTERCHANGE RED (T8) AND BLACK (J9-KC OR T5-KH) LEADS.
NOTE #2 - WHEN MORE THAN ONE CAPACITOR IS USED CONNECT IN PARALLEL.

SWITCH (C) - 115D958AB REF. DIAG. - 121A851 CONN. LABEL - 52X332048

| SIGNATURES | | DATE |
|-------------------------------|--------------------------|-------------------|
| MODEL | M. D. PAPE | 06/29/87 |
| DETAIL | . | . |
| CHECKED | . | . |
| ENGRG | . | . |
| MFG | . | . |
| FOR ADDITIONAL INFO REFER TO: | QUALITY | . |
| APPLIED PRACTICES | ISSUED | M. D. P. 03/08/00 |
| DIMENSIONS ARE IN INCHES ✓ | SOLID MODEL: 52A105379AA | |

REGAL-BELOIT CORPORATION

CONNECTION DIAGRAM

FMF - 30 FR SWITCH REDESIGN

SIZE: DRAWING
A

SCALE: 1.000 REF. No: .

REV 6
52A105379AA

SHEET 1 of 1